



A D T

RADIO TEST REPORT

REPORT NO. : RE941208L11H

MODEL NO. : SDC-CF10G

RECEIVED : Jun. 14, 2006

TESTED : Jun. 14 ~ Aug. 14, 2006

ISSUED : Dec. 24, 2008

APPLICANT : Summit Data Communications, Inc.

ADDRESS : 526 South Main Street Suite 805, Akron, Ohio,
44311 United States

ISSUED BY: Bureau Veritas Consumer Products Services (H.K.)
Ltd., Taoyuan Branch

LAB ADDRESS: No. 47, 14th Ling, Chia Pau Tsuen, Lin Kou Hsiang,
Taipei Hsien 244, Taiwan, R.O.C.

TEST LOCATION: No. 19, Hwa Ya 2nd Rd, Wen Hwa Tsuen, Kwei
Shan Hsiang, Taoyuan Hsien 333, Taiwan, R.O.C.

This test report consists of 41 pages in total. It may be duplicated completely for legal use with the approval of the applicant. It should not be reproduced except in full, without the written approval of our laboratory. The client should not use it to claim product endorsement by TAF or any government agencies. The test results in the report only apply to the tested sample.





TABLE OF CONTENTS

1.	CERTIFICATION	4
2.	SUMMARY OF TEST RESULTS	5
2.1.	TEST INSTRUMENTS	6
2.2.	MEASUREMENT UNCERTAINTY	7
2.3.	MAXIMUM MEASUREMENT UNCERTAINTY	7
3.	GENERAL INFORMATION	8
3.1.	GENERAL DESCRIPTION OF EUT	8
3.2.	DESCRIPTION OF TEST MODES	9
3.2.1.	CONFIGURATION OF SYSTEM UNDER TEST	9
3.2.2.	TEST MODE APPLICABILITY AND TESTED CHANNEL DETAIL	10
3.3.	GENERAL DESCRIPTION OF APPLIED STANDARDS	12
3.4.	DESCRIPTION OF SUPPORT UNITS	12
4.	TEST PROCEDURES AND RESULTS	13
	TRANSMITTER PARAMETERS	13
4.1.	EQUIVALENT ISOTROPIC RADIATED POWER	13
4.1.1.	LIMITS OF EQUIVALENT ISOTROPIC RADIATED POWER	13
4.1.2.	TEST PROCEDURES	13
4.1.3.	DEVIATION FROM TEST STANDARD	13
4.1.4.	TEST SETUP	13
4.1.5.	TEST RESULTS	14
4.2.	PEAK POWER DENSITY	18
4.2.1.	LIMIT OF PEAK POWER DENSITY	18
4.2.2.	TEST PROCEDURES	18
4.2.3.	DEVIATION FROM TEST STANDARD	18
4.2.4.	TEST SETUP	18
4.2.5.	TEST RESULTS	19
4.3.	FREQUENCY RANGE	21
4.3.1.	LIMIT OF FREQUENCY RANGE	21
4.3.2.	TEST PROCEDURES	21
4.3.3.	DEVIATION FROM TEST STANDARD	21
4.3.4.	TEST SETUP	21
4.3.5.	TEST RESULTS	22
4.4.	MEDIUM ACCESS PROTOCOL	26
4.4.1.	DEFINITION	26
4.4.2.	REQUIREMENT	26
4.5.	TRANSMITTER SPURIOUS EMISSIONS	27
4.5.1.	LIMITS OF TRANSMITTER SPURIOUS EMISSIONS	27
4.5.2.	TEST PROCEDURES	27
4.5.3.	DEVIATION FROM TEST STANDARD	27
4.5.4.	TEST SETUP	27
4.5.5.	TEST RESULTS	28
	RECEIVER PARAMETERS	36
4.6.	RECEIVER SPURIOUS RADIATION	36
4.6.1.	LIMIT OF RECEIVER SPURIOUS RADIATION	36



A D T

4.6.2.	TEST PROCEDURES.....	36
4.6.3.	DEVIATION FROM TEST STANDARD	36
4.6.4.	TEST SETUP	36
4.6.5.	TEST RESULTS.....	37
5.	PHOTOGRAPHS OF THE TEST CONFIGURATION.....	40
6.	INFORMATION ON THE TESTING LABORATORIES	41



A D T

1. CERTIFICATION

PRODUCT: SDC-CF10G 802.11g Compact Flash Module with Antenna Connectors

MODEL: SDC-CF10G

BRAND: Summit

APPLICANT: Summit Data Communications, Inc.

TESTED: Jun. 14 ~ Aug. 14, 2006

TEST SAMPLE: Engineering Sample

STANDARDS: EN 300 328 V1.7.1 (2006-10)

The above equipment (model: SDC-CF10G) has been tested by **Bureau Veritas Consumer Products Services (H.K.) Ltd., Taoyuan Branch**, and found compliance with the requirement of the above standards. The test record, data evaluation & Equipment Under Test (EUT) configurations represented herein are true and accurate accounts of the measurements of the sample's EMC characteristics under the conditions specified in this report.

PREPARED BY : *Peggy Chen* , **DATE:** Dec. 24, 2008
Peggy Chen / Specialist

TECHNICAL ACCEPTANCE : *James Fan* , **DATE:** Dec. 24, 2008
Responsible for RF James Fan / Engineer

APPROVED BY : *Gary Chang* , **DATE:** Dec. 24, 2008
Gary Chang / Assistant Manager



A D T

2. SUMMARY OF TEST RESULTS

The EUT has been tested according to the following specifications:

EN 300 328 V1.7.1			
CLAUSE	TEST PARAMETER	REMARKS	PASS/FAIL
	TRANSMITTER PARAMETERS		
4.3.1	Equivalent Isotropic Radiated Power	Applicable	Pass
4.3.2	Peak Power Density	Applicable	Pass
4.3.3	Frequency Range	Applicable	Pass
4.3.5	Medium Access Protocol	Applicable	Pass
4.3.6	Spurious Emissions (Operating)	Applicable	Pass
4.3.6	Spurious Emissions (Standby)	See Note 1	Pass
	RECEIVER PARAMETERS		
4.3.7	Spurious Emissions	Applicable	Pass

- NOTE:** 1. The emission of the transmitter on standby mode is equal to that of receiving mode.
2. Additional Ch.1 (2412MHz) ~ Ch.7 (2442MHz) for 802.11b/g was recorded, for showing effective use frequency spectrum on France.



2.1. TEST INSTRUMENTS

DESCRIPTION & MANUFACTURER	MODEL NO.	SERIAL NO.	DUE DATE OF CALIBRATION
Spectrum Analyzer Agilent	E4446A	MY44360124	Dec. 11, 2006
BILOG Antenna SCHWARZBECK	VULB 9168	9168-155	Jan. 15, 2007
HORN Antenna SCHWARZBECK	BBHA 9120D	9120D-405	Dec. 27, 2006
Signal Generator Agilent	E8257C	MY43320668	Dec. 07, 2006
Preamplifier Agilent	8449B	3008A01976	Nov. 20, 2006
Preamplifier Agilent	8447D	2944A10639	Nov. 25, 2006
RF signal cable HUBER+SUHNER	SUCOFLEX 104	231118/4	Dec. 20, 2006
RF signal cable HUBER+SUHNER	SUCOFLEX 104	231236/4	Dec. 20, 2006
Software ADT.	ADT_Radiated_V5.14	NA	NA
Antenna Tower Inn-co GmbH	MA 4000	MA 4000/013/6150303/L	NA
Turn Table ADT	NA	SN30303	NA
Controller TDK RF	SI-300	1200015	NA
Temperature & Humidity chamber TERCHY	MHU-225AU	920842	Jun. 27, 2007

- NOTE:** 1. The calibration interval of the above test instruments is 12 months and the calibrations are traceable to NML/ROC and NIST/USA.
2. The test was performed in HwaYa RF Chamber 2.
3. The horn antenna and HP preamplifier (model: 8449B) are used only for the measurement of emission frequency above 1GHz if tested.

2.2. MEASUREMENT UNCERTAINTY

Where relevant, the following measurement uncertainty levels have been estimated for tests performed on the EUT:

PARAMETER	UNCERTAINTY
Radio frequency	$\pm 1.132 \times 10^{-6}$
All emissions, radiated	$\pm 3.281\text{dB}$
Temperature	$\pm 0.5^{\circ}\text{C}$
Humidity	$\pm 3\%$
DC and low frequency voltages	$\pm 0.04\%$

2.3. MAXIMUM MEASUREMENT UNCERTAINTY

For the test methods, according to ETSI EN 300 328 standard, the measurement uncertainty figures shall be calculated in accordance with TR 100 028-1 [4] and shall correspond to an expansion factor (coverage factor) $k = 1,96$ or $k = 2$ (which provide confidence levels of respectively 95 % and 95,45 % in the case where the distributions characterizing the actual measurement uncertainties are normal (Gaussian)).

Maximum measurement uncertainty

PARAMETER	UNCERTAINTY
Radio frequency	$\pm 1 \times 10^{-5}$
All emissions, radiated	$\pm 6.0 \text{ dB}$
Temperature	$\pm 1^{\circ}\text{C}$
Humidity	$\pm 5.0 \%$
DC and low frequency voltages	$\pm 3.0 \%$



3. GENERAL INFORMATION

3.1. GENERAL DESCRIPTION OF EUT

PRODUCT	SDC-CF10G 802.11g Compact Flash Module with Antenna Connectors
MODEL NO.	SDC-CF10G
SOURCE VOLTAGE	$V_{nom} = 230$ $V_{min} = 207$ $V_{max} = 253$
POWER SUPPLY	3.3Vdc from host equipment
MODULATION TYPE	CCK, DQPSK, DBPSK for DSSS 64QAM, 16QAM, QPSK, BPSK for OFDM
RADIO TECHNOLOGY	DSSS, OFDM
FREQUENCY RANGE	For France: 2400 ~ 2454MHz For other EU countries: 2400 ~ 2483.5MHz
NUMBER OF CHANNEL	For France: 7 For other EU countries: 13
EIRP POWER (FOR DSSS)	18.97dBm (Measured Max. Average)
EIRP POWER (FOR OFDM)	17.63dBm (Measured Max. Average)
ANTENNA TYPE	PCB antenna with 0dBi gain
DATA CABLE	NA
I/O PORT	NA

NOTE:

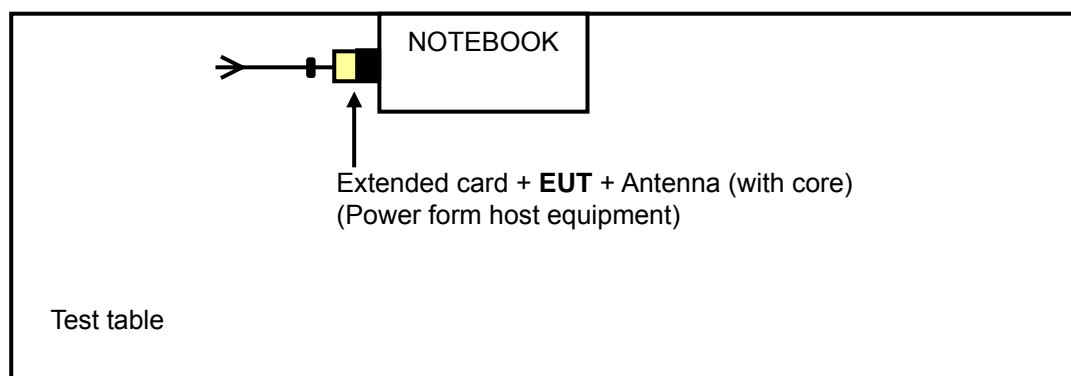
1. This report is based on ADT report with Reference No.: RE941208L11C. The original report was issued by Advance Data Technology Corp. (ADT Corp.) on Aug. 18, 2006. ADT Corp. is one of Bureau Veritas family and she has fully transferred all its test facilities, staffs & service system to Bureau Veritas Consumer Products Services (Hong Kong) Limited, Taoyuan Branch in 2008.
2. This is a duplicate report of RE941208L11C, the difference is updating the version of standard.
3. The EUT will be installed in the platform: (1) Mobile Data Terminals (MDTs), (2) Vehicle Mounted Devices(VMDs).
4. The EUT, operates in the 2.4GHz frequency range, lets you connect IEEE 802.11g or IEEE 802.11b devices to the network. With its high-speed data transmissions of up to 54Mbps.
5. The above EUT information was declared by manufacturer and for more detailed features description, please refer to the manufacturer's specifications or User's Manual.

3.2. DESCRIPTION OF TEST MODES

Thirteen channels are provided to this EUT:

CHANNEL	FREQUENCY	CHANNEL	FREQUENCY
1	2412 MHz	8	2447 MHz
2	2417 MHz	9	2452 MHz
3	2422 MHz	10	2457 MHz
4	2427 MHz	11	2462 MHz
5	2432 MHz	12	2467 MHz
6	2437 MHz	13	2472 MHz
7	2442 MHz		

3.2.1. CONFIGURATION OF SYSTEM UNDER TEST





3.2.2. TEST MODE APPLICABILITY AND TESTED CHANNEL DETAIL

EUT CONFIGURE MODE	APPLICABLE TO					DESCRIPTION
	EIRP	PPD	FR	SE<1G	SE≥1G	
-	√	√	√	√	√	-

Where **EIRP**: Equivalent Isotropic Radiated Power **SE<1G**: Spurious Emissions below 1GHz

PPD: Peak Power Density

SE≥1G: Spurious Emissions above 1GHz

FR: Frequency Range

EQUIVALENT ISOTROPIC RADIATED POWER TEST:

- Pre-Scan has been conducted to determine the worst-case mode from all possible combinations between available modulations, data rates and antenna ports (if EUT with antenna diversity architecture).
- Following channel(s) was (were) selected for the final test as listed below.

MODE	AVAILABLE CHANNEL	TESTED CHANNEL	MODULATION TECHNOLOGY	MODULATION TYPE	DATA RATE (Mbps)
802.11b	1 to 13	1, 4, 7, 13	DSSS	DBPSK	1
802.11g	1 to 13	1, 4, 7, 13	OFDM	BPSK	6

PEAK POWER DENSITY TEST:

- Pre-Scan has been conducted to determine the worst-case mode from all possible combinations between available modulations, data rates and antenna ports (if EUT with antenna diversity architecture).
- Following channel(s) was (were) selected for the final test as listed below.

MODE	AVAILABLE CHANNEL	TESTED CHANNEL	MODULATION TECHNOLOGY	MODULATION TYPE	DATA RATE (Mbps)
802.11b	1 to 13	1, 4, 7, 13	DSSS	DBPSK	1
802.11g	1 to 13	1, 4, 7, 13	OFDM	BPSK	6



FREQUENCY RANGE TEST:

- Pre-Scan has been conducted to determine the worst-case mode from all possible combinations between available modulations, data rates and antenna ports (if EUT with antenna diversity architecture).
- Following channel(s) was (were) selected for the final test as listed below.

MODE	AVAILABLE CHANNEL	TESTED CHANNEL	MODULATION TECHNOLOGY	MODULATION TYPE	DATA RATE (Mbps)
802.11b	1 to 13	1, 7, 13	DSSS	DBPSK	1
802.11g	1 to 13	1, 7, 13	OFDM	BPSK	6

SPURIOUS EMISSIONS TEST (BELOW 1 GHz):

- Pre-Scan has been conducted to determine the worst-case mode from all possible combinations between available modulations, data rates and antenna ports (if EUT with antenna diversity architecture).
- Following channel(s) was (were) selected for the final test as listed below.

MODE	AVAILABLE CHANNEL	TESTED CHANNEL	MODULATION TECHNOLOGY	MODULATION TYPE	DATA RATE (Mbps)
802.11b	1 to 13	1	DSSS	DBPSK	1
802.11g	1 to 13	1	OFDM	BPSK	6

SPURIOUS EMISSIONS TEST (ABOVE 1 GHz):

- Pre-Scan has been conducted to determine the worst-case mode from all possible combinations between available modulations, data rates and antenna ports (if EUT with antenna diversity architecture).
- Following channel(s) was (were) selected for the final test as listed below.

MODE	AVAILABLE CHANNEL	TESTED CHANNEL	MODULATION TECHNOLOGY	MODULATION TYPE	DATA RATE (Mbps)
802.11b	1 to 13	1, 7, 13	DSSS	DBPSK	1
802.11g	1 to 13	1, 7, 13	OFDM	BPSK	6

3.3. GENERAL DESCRIPTION OF APPLIED STANDARDS

The EUT is a RF Product, according to the specifications of the manufacturers, it must comply with the requirements of the following standards:

EN 300 328 V1.7.1 (2006-10)

All test items have been performed and recorded as per the above standards.

3.4. DESCRIPTION OF SUPPORT UNITS

The EUT has been tested as an independent unit together with other necessary accessories or support units. The following support units or accessories were used to form a representative test configuration during the tests.

NO.	PRODUCT	BRAND	MODEL NO.	SERIAL NO.	FCC ID
1	NOTEBOOK COMPUTER	DELL	D600	CN-0G5152-486 43-49C-8226	FCC DoC Approved

NO.	SIGNAL CABLE DESCRIPTION OF THE ABOVE SUPPORT UNITS
1	NA

NOTE: All power cords of the above support units are non shielded (1.8m).



4. TEST PROCEDURES AND RESULTLS

TRANSMITTER PARAMETERS

4.1. EQUIVALENT ISOTROPIC RADIATED POWER

4.1.1. LIMITS OF EQUIVALENT ISOTROPIC RADIATED POWER

CONDITION	LIMIT (e.i.r.p)
Under all test conditions	AV: 20dBm / -10dBW

4.1.2. TEST PROCEDURES

Reference to chapter 5.7 of ETSI EN 300 328 V1.7.1 (2006-10).

4.1.3. DEVIATION FROM TEST STANDARD

No deviation.

4.1.4. TEST SETUP

The test setup has been constructed as the normal use condition. Controlling software (provided by manufacturer) has been activated to set the EUT on specific status.



4.1.5. TEST RESULTS

802.11b DSSS MODULATION

FREQUENCY RANGE	2400 ~ 2483.5MHz (for all EU countries except France)	MODULATION BIT RATE	1Mbps
ENVIRONMENTAL CONDITIONS	20deg. C, 63% RH	DUTY CYCLE OF EUT	100%
TESTED BY	Dylan Chiou		

TEST CONDITION				EQUIVALENT ISOTROPIC RADIATED POWER (dBm)					
				(CH1) 2412 MHz		(CH7) 2442 MHz		(CH13) 2472 MHz	
				PK	AV	PK	AV	PK	AV
Tnom(°C)	20	Vnom(v)	230 V	18.22	16.56	19.50	17.30	18.62	16.68
Tmin(°C)	-20	Vmin(v)	207 V	18.44	17.06	19.56	17.75	18.69	17.07
		Vmax(v)	253 V	18.45	17.03	19.58	17.78	18.66	17.06
Tmax(°C)	55	Vmin(v)	207 V	18.01	16.10	19.14	16.92	18.19	15.76
		Vmax(v)	253 V	18.03	16.14	19.04	16.79	18.05	15.64

- NOTE:**
1. For all EU market except France, channel 1 ~ 13 are allowed. So, only channel 1, 7 and 13 under extreme condition are recorded in the above table.
 2. The EUT is a plug-in radio device and powered by the host. The test conditions are according to the clause 5.3 of EN 300 328.
 3. PK value is for reporting purposes only, there is no limit.



A D T

FREQUENCY RANGE	2400 ~ 2454MHz (for France)	MODULATION BIT RATE	1Mbps
ENVIRONMENTAL CONDITIONS	20deg. C, 63% RH	DUTY CYCLE OF EUT	100%
TESTED BY	Dylan Chiou		

TEST CONDITION				EQUIVALENT ISOTROPIC RADIATED POWER (dBm)					
				(CH1) 2412 MHz		(CH4) 2427 MHz		(CH7) 2442 MHz	
				PK	AV	PK	AV	PK	AV
Tnom(°C)	20	Vnom(v)	230 V	18.22	16.56	19.94	18.43	19.50	17.30
Tmin(°C)	-20	Vmin(v)	207 V	18.44	17.06	20.05	18.97	19.56	17.75
		Vmax(v)	253 V	18.45	17.03	20.06	18.95	19.58	17.78
Tmax(°C)	55	Vmin(v)	207 V	18.01	16.10	19.68	18.52	19.14	16.92
		Vmax(v)	253 V	18.03	16.14	19.70	18.57	19.04	16.79

- NOTE:** 1. For France market, channel 1 ~ 7 are allowed. So, only channel 1, 4 and 7 under extreme condition are recorded in the above table.
2. The EUT is a plug-in radio device and powered by the host. The test conditions are according to the clause 5.3 of EN 300 328.
3. PK value is for reporting purposes only, there is no limit.



802.11g OFDM MODULATION

FREQUENCY RANGE	2400 ~ 2483.5MHz (for all EU countries except France)	MODULATION BIT RATE	6Mbps
ENVIRONMENTAL CONDITIONS	20deg. C, 63% RH	DUTY CYCLE OF EUT	100%
TESTED BY	James Fan		

TEST CONDITION				EQUIVALENT ISOTROPIC RADIATED POWER (dBm)					
				(CH1) 2412 MHz		(CH7) 2442 MHz		(CH13) 2472 MHz	
				PK	AV	PK	AV	PK	AV
Tnom(°C)	20	Vnom(v)	230 V	17.11	15.65	18.00	16.70	17.02	15.72
Tmin(°C)	-20	Vmin(v)	207 V	17.50	15.96	18.30	17.32	17.43	16.11
		Vmax(v)	253 V	17.51	15.93	18.32	17.35	17.40	16.10
Tmax(°C)	55	Vmin(v)	207 V	16.87	15.34	17.71	16.68	16.78	14.96
		Vmax(v)	253 V	16.89	15.38	17.61	16.55	16.64	14.84

- NOTE:**
1. For all EU market except France, channel 1 ~ 13 are allowed. So, only channel 1, 7 and 13 under extreme condition are recorded in the above table.
 2. The EUT is a plug-in radio device and powered by the host. The test conditions are according to the clause 5.3 of EN 300 328.
 3. PK value is for reporting purposes only, there is no limit.



A D T

FREQUENCY RANGE	2400 ~ 2454MHz (for France)	MODULATION BIT RATE	6Mbps
ENVIRONMENTAL CONDITIONS	20deg. C, 63% RH	DUTY CYCLE OF EUT	100%
TESTED BY	James Fan		

TEST CONDITION				EQUIVALENT ISOTROPIC RADIATED POWER (dBm)					
				(CH1) 2412 MHz		(CH4) 2427 MHz		(CH7) 2442 MHz	
				PK	AV	PK	AV	PK	AV
Tnom(°C)	20	Vnom(v)	230 V	17.11	15.65	18.01	17.01	18.00	16.70
Tmin(°C)	-20	Vmin(v)	207 V	17.50	15.96	18.41	17.63	18.30	17.32
		Vmax(v)	253 V	17.51	15.93	18.42	17.61	18.32	17.35
Tmax(°C)	55	Vmin(v)	207 V	16.87	15.34	17.82	17.03	17.71	16.68
		Vmax(v)	253 V	16.89	15.38	17.84	17.08	17.61	16.55

- NOTE:** 1. For France market, channel 1 ~ 7 are allowed. So, only channel 1, 4 and 7 under extreme condition are recorded in the above table.
2. The EUT is a plug-in radio device and powered by the host. The test conditions are according to the clause 5.3 of EN 300 328.
3. PK value is for reporting purposes only, there is no limit.



4.2. PEAK POWER DENSITY

4.2.1. LIMIT OF PEAK POWER DENSITY

CONDITION	LIMIT (e.i.r.p)
Under all test conditions	10dBm / 1MHz

4.2.2. TEST PROCEDURES

Reference to chapter 5.7 of ETSI EN 300 328 V1.7.1 (2006-10).

4.2.3. DEVIATION FROM TEST STANDARD

No deviation.

4.2.4. TEST SETUP

The test setup has been constructed as the normal use condition. Controlling software (provided by manufacturer) has been activated to set the EUT on specific status.



4.2.5. TEST RESULTS

802.11b DSSS MODULATION

FREQUENCY RANGE	2400 ~ 2483.5MHz (for all EU countries except France)	MODULATION BIT RATE	1Mbps
ENVIRONMENTAL CONDITIONS	20deg. C, 63% RH	DUTY CYCLE OF EUT	100%
TESTED BY	Dylan Chiou		

CHANNEL	CHANNEL FREQUENCY (MHz)	RF POWER (dBm/kHz) (E.I.R.P)	LIMIT (dBm/kHz) (E.I.R.P)	PASS/FAIL
1	2412.53	6.18 / 1000	10 / 1000	PASS
7	2441.43	7.18 / 1000	10 / 1000	PASS
13	2472.42	6.54 / 1000	10 / 1000	PASS

NOTE: For equipment using other types of modulation, the power density shall be limit to -20dBW(10mW) per 1MHz E.I.R.P.

FREQUENCY RANGE	2400 ~ 2454MHz (for France)	MODULATION BIT RATE	1Mbps
ENVIRONMENTAL CONDITIONS	20deg. C, 63% RH	DUTY CYCLE OF EUT	100%
TESTED BY	Dylan Chiou		

CHANNEL	CHANNEL FREQUENCY (MHz)	RF POWER (dBm/kHz) (E.I.R.P)	LIMIT (dBm/kHz) (E.I.R.P)	PASS/FAIL
1	2412.53	6.18 / 1000	10 / 1000	PASS
4	2426.55	8.26 / 1000	10 / 1000	PASS
7	2441.43	7.18 / 1000	10 / 1000	PASS

NOTE: For equipment using other types of modulation, the power density shall be limit to -20dBW(10mW) per 1MHz E.I.R.P.



A D T

802.11g OFDM MODULATION

FREQUENCY RANGE	2400 ~ 2483.5MHz (for all EU countries except France)	MODULATION BIT RATE	6Mbps
ENVIRONMENTAL CONDITIONS	20deg. C, 63% RH	DUTY CYCLE OF EUT	100%
TESTED BY	James Fan		

CHANNEL	CHANNEL FREQUENCY (MHz)	RF POWER (dBm/kHz) (E.I.R.P)	LIMIT (dBm/kHz) (E.I.R.P)	PASS/FAIL
1	2412.33	5.87 / 1000	10 / 1000	PASS
7	2443.58	7.18 / 1000	10 / 1000	PASS
13	2470.46	5.71 / 1000	10 / 1000	PASS

NOTE: For equipment using other types of modulation, the power density shall be limit to -20dBW(10mW) per 1MHz E.I.R.P.

FREQUENCY RANGE	2400 ~ 2454MHz (for France)	MODULATION BIT RATE	6Mbps
ENVIRONMENTAL CONDITIONS	20deg. C, 63% RH	DUTY CYCLE OF EUT	100%
TESTED BY	James Fan		

CHANNEL	CHANNEL FREQUENCY (MHz)	RF POWER (dBm/kHz) (E.I.R.P)	LIMIT (dBm/kHz) (E.I.R.P)	PASS/FAIL
1	2412.33	5.87 / 1000	10 / 1000	PASS
4	2429.42	6.85 / 1000	10 / 1000	PASS
7	2443.58	7.18 / 1000	10 / 1000	PASS

NOTE: For equipment using other types of modulation, the power density shall be limit to -20dBW(10mW) per 1MHz E.I.R.P.



4.3. FREQUENCY RANGE

4.3.1. LIMIT OF FREQUENCY RANGE

CONDITION	COUNTRY	LIMIT
Under all test conditions	EU	$F_L > 2400.0\text{MHz}$ $F_H < 2483.5\text{MHz}$
	FRANCE	$F_L > 2400.0\text{MHz}$ $F_H < 2454.0\text{MHz}$

4.3.2. TEST PROCEDURES

Reference to chapter 5.7 of ETSI EN 300 328 V1.7.1 (2006-10).

4.3.3. DEVIATION FROM TEST STANDARD

No deviation.

4.3.4. TEST SETUP

The EUT and probe antenna were placed into the temperature oven. The probe has to be connected with spectrum analyzer. The power source of the EUT has to be connected with the power supply for voltage change. The frequency has to be recorded for the right and left end above threshold of highest and lowest channel respectively.



4.3.5. TEST RESULTS

802.11b DSSS MODULATION

FREQUENCY RANGE	2400 ~ 2483.5MHz (for all EU countries except France)	MODULATION BIT RATE	1Mbps
ENVIRONMENTAL CONDITIONS	20deg. C, 63% RH	TESTED BY	Dylan Chiou

TEST CONDITION			FREQUENCY (MHz)	
			LOWEST	HIGHEST
Tnom 20°C	Vnom(v)	230	2401.35	2481.93
Tmin -20°C	Vmin(v)	207	2400.61	2482.06
	Vmax(v)	253	2400.61	2482.06
Tmax 55°C	Vmin(v)	207	2401.53	2481.61
	Vmax(v)	253	2401.53	2481.61
Measured frequencies (lowest and highest)			F _L = 2400.61	F _H = 2482.06

- NOTE:** 1. For all EU market except France, channel 1 ~ 13 are allowed. So, only lowest edge of channel 1 and highest edge of channel 13 under extreme condition are recorded in the above table.
2. The EUT is a plug-in radio device and powered by the host. The test conditions are according to the clause 5.3 of EN 300 328.



A D T

FREQUENCY RANGE	2400 ~ 2454MHz (for France)	MODULATION BIT RATE	1Mbps
ENVIRONMENTAL CONDITIONS	20deg. C, 63% RH	TESTED BY	Dylan Chiou

TEST CONDITION			FREQUENCY (MHz)	
			LOWEST	HIGHEST
Tnom 20°C	Vnom(v)	230	2401.35	2451.85
Tmin -20°C	Vmin(v)	207	2400.61	2452.93
	Vmax(v)	253	2400.61	2452.93
Tmax 55°C	Vmin(v)	207	2401.53	2451.67
	Vmax(v)	253	2401.53	2451.67
Measured frequencies (lowest and highest)			F _L = 2400.61	F _H = 2452.93

- NOTE:** 1. For France market, channel 1 ~ 7 are allowed. So lowest edge of channel 1 and highest edge of channel 7 under extreme condition are recorded in the above table.
2. The EUT is a plug-in radio device and powered by the host. The test conditions are according to the clause 5.3 of EN 300 328.



A D T

802.11g OFDM MODULATION

FREQUENCY RANGE	2400 ~ 2483.5MHz (for all EU countries except France)	MODULATION BIT RATE	6Mbps
ENVIRONMENTAL CONDITIONS	20deg. C, 63% RH	TESTED BY	James Fan

TEST CONDITION			FREQUENCY (MHz)	
			LOWEST	HIGHEST
Tnom 20°C	Vnom(v)	230	2402.52	2481.55
Tmin -20°C	Vmin(v)	207	2401.85	2482.04
	Vmax(v)	253	2401.85	2482.04
Tmax 55°C	Vmin(v)	207	2402.36	2481.37
	Vmax(v)	253	2402.36	2481.37
Measured frequencies (lowest and highest)			F _L = 2401.85	F _H = 2482.04

- NOTE:** 1. For all EU market except France, channel 1 ~ 13 are allowed. So, only lowest edge of channel 1 and highest edge of channel 13 under extreme condition are recorded in the above table.
2. The EUT is a plug-in radio device and powered by the host. The test conditions are according to the clause 5.3 of EN 300 328.



A D T

FREQUENCY RANGE	2400 ~ 2454MHz (for France)	MODULATION BIT RATE	6Mbps
ENVIRONMENTAL CONDITIONS	20deg. C, 63% RH	TESTED BY	James Fan

TEST CONDITION			FREQUENCY (MHz)	
			LOWEST	HIGHEST
Tnom 20°C	Vnom(v)	230	2402.52	2451.46
Tmin -20°C	Vmin(v)	207	2401.85	2451.81
	Vmax(v)	253	2401.85	2451.81
Tmax 55°C	Vmin(v)	207	2402.36	2451.16
	Vmax(v)	253	2402.36	2451.16
Measured frequencies (lowest and highest)			F _L = 2401.85	F _H = 2451.81

- NOTE:** 1. For France market, channel 1 ~ 7 are allowed. So lowest edge of channel 1 and highest edge of channel 7 under extreme condition are recorded in the above table.
2. The EUT is a plug-in radio device and powered by the host. The test conditions are according to the clause 5.3 of EN 300 328.



4.4. MEDIUM ACCESS PROTOCOL

4.4.1. DEFINITION

A medium access protocol is a mechanism designed to facilitate spectrum sharing with other devices in a wireless network.

4.4.2. REQUIREMENT

Manufacturer provides declaration form to meet this requirement.



A D T

4.5. TRANSMITTER SPURIOUS EMISSIONS

4.5.1. LIMITS OF TRANSMITTER SPURIOUS EMISSIONS

Transmitter limits for narrowband spurious emissions

FREQUENCY RANGE	OPERATING LIMIT	STANDBY LIMIT
30MHz ~ 1GHz	-36dBm	-57dBm
Above 1GHz ~ 12.75GHz	-30dBm	-47dBm
1.8 ~ 1.9GHz 5.15 ~ 5.3GHz	-47dBm	-47dBm

4.5.2. TEST PROCEDURES

Reference to chapter 5.7 of ETSI EN 300 328 V1.7.1 (2006-10).

4.5.3. DEVIATION FROM TEST STANDARD

No deviation.

4.5.4. TEST SETUP

1. For the actual test configuration, please refer to the related Item in this test report (Photographs of the Test Configuration).
2. The test setup has been constructed as the normal use condition. Controlling software (provided by manufacturer) has been activated to set the EUT on specific status.



A D T

4.5.5. TEST RESULTS

802.11b DSSS MODULATION

OPERATING FREQUENCY RANGE	2400 ~ 2483.5MHz (for all EU countries)	MODULATION BIT RATE	1Mbps
SPURIOUS EMISSION FREQUENCY RANGE	30MHz ~ 1GHz	OPERATING CHANNEL	1
DUTY CYCLE OF EUT	100%	ENVIRONMENTAL CONDITIONS	20deg. C, 63% RH
TESTED BY	Mason Chang		

SPURIOUS EMISSION LEVEL				
Frequency (MHz)	Antenna Polarization	Level (dBm)	Limit (dBm)	Margin
109.65	V	-68.83	-36.00	-32.83
110.55	H	-68.68	-36.00	-32.68
111.45	H	-70.34	-36.00	-34.34
111.90	V	-69.95	-36.00	-33.95
120.90	H	-69.18	-36.00	-33.18
160.50	H	-68.07	-36.00	-32.07
164.10	V	-69.95	-36.00	-33.95
168.60	H	-68.41	-36.00	-32.41
172.20	V	-67.72	-36.00	-31.72
174.90	H	-68.91	-36.00	-32.91
176.70	V	-68.31	-36.00	-32.31
183.45	V	-71.07	-36.00	-35.07
200.10	V	-71.71	-36.00	-35.71
250.05	H	-71.43	-36.00	-35.43
250.05	V	-69.22	-36.00	-33.22
257.70	H	-72.79	-36.00	-36.79
266.25	H	-72.71	-36.00	-36.71
332.67	H	-66.66	-36.00	-30.66
463.33	H	-67.88	-36.00	-31.88
463.33	V	-67.14	-36.00	-31.14
464.50	H	-65.91	-36.00	-29.91

NOTE: The emission behavior belongs to narrowband spurious emission.



A D T

OPERATING FREQUENCY RANGE	2400 ~ 2483.5MHz (for all EU countries)	MODULATION BIT RATE	1Mbps
SPURIOUS EMISSION FREQUENCY RANGE	30MHz ~ 1GHz	OPERATING CHANNEL	1
DUTY CYCLE OF EUT	100%	ENVIRONMENTAL CONDITIONS	20deg. C, 63% RH
TESTED BY	Mason Chang		

SPURIOUS EMISSION LEVEL				
Frequency (MHz)	Antenna Polarization	Level (dBm)	Limit (dBm)	Margin
465.67	V	-66.94	-36.00	-30.94
499.50	H	-69.93	-36.00	-33.93
603.33	H	-69.94	-36.00	-33.94
613.83	H	-69.65	-36.00	-33.65
637.17	H	-70.24	-36.00	-34.24
655.83	H	-71.09	-36.00	-35.09
683.83	H	-71.94	-36.00	-35.94
718.83	H	-71.56	-36.00	-35.56
743.33	H	-68.04	-36.00	-32.04
744.50	H	-69.13	-36.00	-33.13
779.50	H	-69.04	-36.00	-33.04
804.00	H	-67.55	-36.00	-31.55
833.17	H	-69.49	-36.00	-33.49
860.00	H	-67.95	-36.00	-31.95
860.00	V	-67.76	-36.00	-31.76
864.67	V	-67.44	-36.00	-31.44
865.83	H	-65.23	-36.00	-29.23
895.00	V	-67.39	-36.00	-31.39
902.00	H	-59.91	-36.00	-23.91
926.50	H	-67.16	-36.00	-31.16
930.00	V	-66.57	-36.00	-30.57
953.33	H	-61.98	-36.00	-25.98
953.33	V	-62.06	-36.00	-26.06

NOTE: The emission behavior belongs to narrowband spurious emission.



A D T

OPERATING FREQUENCY RANGE	2400 ~ 2483.5MHz (for all EU countries)	MODULATION BIT RATE	1Mbps
SPURIOUS EMISSION FREQUENCY RANGE	30MHz ~ 1GHz	OPERATING CHANNEL	1
DUTY CYCLE OF EUT	100%	ENVIRONMENTAL CONDITIONS	20deg. C, 63% RH
TESTED BY	Mason Chang		

SPURIOUS EMISSION LEVEL				
Frequency (MHz)	Antenna Polarization	Level (dBm)	Limit (dBm)	Margin
954.50	H	-64.78	-36.00	-28.78
954.50	V	-66.07	-36.00	-30.07
998.83	H	-66.00	-36.00	-30.00
1000.00	V	-65.20	-36.00	-29.20

NOTE: The emission behavior belongs to narrowband spurious emission.



A D T

OPERATING FREQUENCY RANGE	2400 ~ 2483.5MHz (for all EU countries)	MODULATION BIT RATE	1Mbps
SPURIOUS EMISSION FREQUENCY RANGE	1GHz ~ 12.75GHz	OPERATING CHANNEL	1, 7 and 13
DUTY CYCLE OF EUT	100%	ENVIRONMENTAL CONDITIONS	20deg. C, 60% RH
TESTED BY	James Fan		

SPURIOUS EMISSION LEVEL					
Channel	Frequency (MHz)	Antenna Polarization	Level (dBm)	Limit (dBm)	Margin (dB)
1	1607.98	V	-64.30	-30.00	-34.30
	1607.99	H	-63.29	-30.00	-33.29
	3215.98	H	-58.40	-30.00	-28.40
	3215.99	V	-52.92	-30.00	-22.92
	4823.98	H	-42.75	-30.00	-12.75
	4823.98	V	-39.47	-30.00	-9.47
	9647.95	H	-49.33	-30.00	-19.33
	9647.95	V	-49.41	-30.00	-19.41
7	1627.98	H	-63.37	-30.00	-33.37
	1628.00	V	-61.04	-30.00	-31.04
	3255.99	H	-60.35	-30.00	-30.35
	3255.99	V	-54.70	-30.00	-24.70
	4883.98	H	-45.01	-30.00	-15.01
	4883.98	V	-39.58	-30.00	-9.58
	9767.96	H	-50.05	-30.00	-20.05
	9767.97	V	-49.62	-30.00	-19.62
13	1647.98	H	-62.47	-30.00	-32.47
	1648.00	V	-59.15	-30.00	-29.15
	3295.99	H	-58.77	-30.00	-28.77
	3296.00	V	-56.98	-30.00	-26.98
	4943.98	H	-44.54	-30.00	-14.54
	4943.98	V	-40.26	-30.00	-10.26
	9887.95	H	-50.46	-30.00	-20.46
	9887.95	V	-51.44	-30.00	-21.44

NOTE: The emission behavior belongs to narrowband spurious emission.



A D T

802.11g OFDM MODULATION

OPERATING FREQUENCY RANGE	2400 ~ 2483.5MHz (for all EU countries)	MODULATION BIT RATE	6Mbps
SPURIOUS EMISSION FREQUENCY RANGE	30MHz ~ 1GHz	OPERATING CHANNEL	1
DUTY CYCLE OF EUT	100%	ENVIRONMENTAL CONDITIONS	20deg. C, 63% RH
TESTED BY	Mason Chang		

SPURIOUS EMISSION LEVEL				
Frequency (MHz)	Antenna Polarization	Level (dBm)	Limit (dBm)	Margin
108.75	H	-71.68	-36.00	-35.68
110.10	V	-69.37	-36.00	-33.37
111.45	V	-70.06	-36.00	-34.06
112.35	H	-71.59	-36.00	-35.59
124.95	H	-70.59	-36.00	-34.59
129.90	H	-72.30	-36.00	-36.30
156.00	H	-72.45	-36.00	-36.45
164.10	H	-68.80	-36.00	-32.80
165.00	V	-70.74	-36.00	-34.74
169.50	V	-66.52	-36.00	-30.52
174.00	H	-66.09	-36.00	-30.09
174.45	V	-68.77	-36.00	-32.77
175.35	H	-67.25	-36.00	-31.25
184.35	V	-71.53	-36.00	-35.53
235.65	H	-72.60	-36.00	-36.60
250.05	V	-69.58	-36.00	-33.58
253.20	H	-71.82	-36.00	-35.82
260.40	H	-71.90	-36.00	-35.90
331.50	H	-67.02	-36.00	-31.02
332.67	V	-66.37	-36.00	-30.37
374.67	H	-72.66	-36.00	-36.66
463.33	H	-68.30	-36.00	-32.30

NOTE: The emission behavior belongs to narrowband spurious emission.



A D T

OPERATING FREQUENCY RANGE	2400 ~ 2483.5MHz (for all EU countries)	MODULATION BIT RATE	6Mbps
SPURIOUS EMISSION FREQUENCY RANGE	30MHz ~ 1GHz	OPERATING CHANNEL	1
DUTY CYCLE OF EUT	100%	ENVIRONMENTAL CONDITIONS	20deg. C, 63% RH
TESTED BY	Mason Chang		

SPURIOUS EMISSION LEVEL				
Frequency (MHz)	Antenna Polarization	Level (dBm)	Limit (dBm)	Margin
463.33	V	-69.16	-36.00	-33.16
464.50	H	-66.33	-36.00	-30.33
464.50	V	-68.01	-36.00	-32.01
499.50	H	-70.83	-36.00	-34.83
499.50	V	-72.12	-36.00	-36.12
535.67	V	-72.98	-36.00	-36.98
567.17	V	-71.90	-36.00	-35.90
577.67	H	-70.55	-36.00	-34.55
597.50	V	-71.01	-36.00	-35.01
602.17	H	-64.18	-36.00	-28.18
604.50	H	-66.53	-36.00	-30.53
618.50	V	-70.38	-36.00	-34.38
631.33	H	-70.39	-36.00	-34.39
636.00	V	-71.13	-36.00	-35.13
668.67	H	-71.31	-36.00	-35.31
668.67	V	-71.33	-36.00	-35.33
681.50	H	-71.79	-36.00	-35.79
695.50	V	-70.55	-36.00	-34.55
702.50	V	-69.52	-36.00	-33.52
713.00	H	-71.17	-36.00	-35.17
728.17	V	-68.93	-36.00	-32.93
734.00	H	-68.94	-36.00	-32.94
752.67	H	-68.41	-36.00	-32.41

NOTE: The emission behavior belongs to narrowband spurious emission.



A D T

OPERATING FREQUENCY RANGE	2400 ~ 2483.5MHz (for all EU countries)	MODULATION BIT RATE	6Mbps
SPURIOUS EMISSION FREQUENCY RANGE	30MHz ~ 1GHz	OPERATING CHANNEL	1
DUTY CYCLE OF EUT	100%	ENVIRONMENTAL CONDITIONS	20deg. C, 63% RH
TESTED BY	Mason Chang		

SPURIOUS EMISSION LEVEL				
Frequency (MHz)	Antenna Polarization	Level (dBm)	Limit (dBm)	Margin
762.00	V	-69.23	-36.00	-33.23
767.83	V	-69.22	-36.00	-33.22
769.00	H	-67.90	-36.00	-31.90
798.17	V	-68.96	-36.00	-32.96
804.00	H	-67.34	-36.00	-31.34
821.50	H	-68.54	-36.00	-32.54
827.33	V	-69.04	-36.00	-33.04
853.00	V	-68.08	-36.00	-32.08
860.00	H	-68.24	-36.00	-32.24
863.50	H	-66.08	-36.00	-30.08
863.50	V	-67.50	-36.00	-31.50
893.83	V	-68.13	-36.00	-32.13
918.33	V	-67.20	-36.00	-31.20
920.67	H	-66.67	-36.00	-30.67
983.67	H	-66.25	-36.00	-30.25
997.67	V	-65.31	-36.00	-29.31

NOTE: The emission behavior belongs to narrowband spurious emission.



A D T

OPERATING FREQUENCY RANGE	2400 ~ 2483.5MHz (for all EU countries)	MODULATION BIT RATE	6Mbps
SPURIOUS EMISSION FREQUENCY RANGE	1GHz ~ 12.75GHz	OPERATING CHANNEL	1, 7 and 13
DUTY CYCLE OF EUT	100%	ENVIRONMENTAL CONDITIONS	20deg. C, 63% RH
TESTED BY	Mason Chang		

SPURIOUS EMISSION LEVEL					
Channel	Frequency (MHz)	Antenna Polarization	Level (dBm)	Limit (dBm)	Margin (dB)
1	1607.99	H	-66.92	-30.00	-36.92
	1608.01	V	-66.78	-30.00	-36.78
	3215.98	H	-61.31	-30.00	-31.31
	3215.98	V	-57.96	-30.00	-27.96
	4824.00	H	-59.04	-30.00	-29.04
	4825.25	V	-57.60	-30.00	-27.60
	9648.00	V	-56.99	-30.00	-26.99
	9649.33	H	-58.73	-30.00	-28.73
7	1628.00	V	-70.31	-30.00	-40.31
	1628.01	H	-65.82	-30.00	-35.82
	3255.99	H	-62.19	-30.00	-32.19
	3256.00	V	-60.48	-30.00	-30.48
	4882.33	H	-61.89	-30.00	-31.89
	4885.25	V	-56.94	-30.00	-26.94
	9769.00	H	-57.57	-30.00	-27.57
	9771.25	V	-58.03	-30.00	-28.03
13	1647.99	V	-65.34	-30.00	-35.34
	1648.01	H	-65.82	-30.00	-35.82
	3295.98	H	-64.02	-30.00	-34.02
	3295.99	V	-61.05	-30.00	-31.05
	4942.33	V	-56.83	-30.00	-26.83
	4942.75	H	-60.98	-30.00	-30.98
	9888.00	H	-59.36	-30.00	-29.36
	9889.08	V	-58.28	-30.00	-28.28

NOTE: The emission behavior belongs to narrowband spurious emission.



RECEIVER PARAMETERS

4.6. RECEIVER SPURIOUS RADIATION

4.6.1. LIMIT OF RECEIVER SPURIOUS RADIATION

Narrowband spurious emission limits for receivers:

FREQUENCY RANGE	LIMIT
30MHz ~ 1GHz	-57dBm
Above 1GHz ~ 12.75GHz	-47dBm

4.6.2. TEST PROCEDURES

Reference to chapter 5.7 of ETSI EN 300 328 V1.7.1 (2006-10).

4.6.3. DEVIATION FROM TEST STANDARD

No deviation.

4.6.4. TEST SETUP

1. For the actual test configuration, please refer to the related Item in this test report (Photographs of the Test Configuration).
2. The test setup has been constructed as the normal use condition. Controlling software (provided by manufacturer) has been activated to set the EUT on specific status.



4.6.5. TEST RESULTS

OPERATING FREQUENCY RANGE	2400 ~ 2483.5MHz (for all EU countries)	MODULATION BIT RATE	6Mbps
SPURIOUS EMISSION FREQUENCY RANGE	30MHz ~ 1GHz	OPERATING CHANNEL	1
DUTY CYCLE OF EUT	100%	ENVIRONMENTAL CONDITIONS	20deg. C, 63% RH
TESTED BY	Mason Chang		

SPURIOUS EMISSION LEVEL				
Frequency (MHz)	Antenna Polarization	Level (dBm)	Limit (dBm)	Margin
35.40	V	-76.86	-57.00	-19.86
44.40	V	-76.19	-57.00	-19.19
51.15	V	-76.53	-57.00	-19.53
102.00	V	-73.44	-57.00	-16.44
104.70	V	-70.86	-57.00	-13.86
112.35	V	-74.07	-57.00	-17.07
152.40	V	-76.36	-57.00	-19.36
169.05	V	-76.75	-57.00	-19.75
174.45	V	-76.20	-57.00	-19.20
200.10	H	-73.56	-57.00	-16.56
200.10	V	-76.46	-57.00	-19.46
235.20	H	-72.90	-57.00	-15.90
243.30	H	-70.44	-57.00	-13.44
252.30	H	-71.45	-57.00	-14.45
260.40	H	-71.32	-57.00	-14.32
268.95	H	-72.57	-57.00	-15.57
274.80	H	-73.61	-57.00	-16.61
300.00	V	-71.67	-57.00	-14.67
332.67	H	-64.85	-57.00	-7.85
332.67	V	-61.59	-57.00	-4.59
374.67	V	-65.59	-57.00	-8.59
450.50	V	-65.17	-57.00	-8.17

NOTE: The emission behavior belongs to narrowband spurious emission.



A D T

OPERATING FREQUENCY RANGE	2400 ~ 2483.5MHz (for all EU countries)	MODULATION BIT RATE	6Mbps
SPURIOUS EMISSION FREQUENCY RANGE	30MHz ~ 1GHz	OPERATING CHANNEL	1
DUTY CYCLE OF EUT	100%	ENVIRONMENTAL CONDITIONS	20deg. C, 63% RH
TESTED BY	Mason Chang		

SPURIOUS EMISSION LEVEL				
Frequency (MHz)	Antenna Polarization	Level (dBm)	Limit (dBm)	Margin
463.33	H	-66.21	-57.00	-9.21
464.50	H	-61.86	-57.00	-4.86
804.00	H	-66.13	-57.00	-9.13
864.67	V	-66.35	-57.00	-9.35
865.83	H	-65.16	-57.00	-8.16
890.33	V	-67.63	-57.00	-10.63
917.17	H	-66.55	-57.00	-9.55
917.17	V	-67.26	-57.00	-10.26
945.17	H	-60.84	-57.00	-3.84
954.50	H	-63.78	-57.00	-6.78
997.67	V	-66.08	-57.00	-9.08
998.83	H	-65.80	-57.00	-8.80

NOTE: The emission behavior belongs to narrowband spurious emission.



A D T

OPERATING FREQUENCY RANGE	2400 ~ 2483.5MHz (for all EU countries)	MODULATION BIT RATE	6Mbps
SPURIOUS EMISSION FREQUENCY RANGE	1GHz ~ 12.75GHz	OPERATING CHANNEL	1, 7 and 13
DUTY CYCLE OF EUT	100%	ENVIRONMENTAL CONDITIONS	20deg. C, 63% RH
TESTED BY	Mason Chang		

SPURIOUS EMISSION LEVEL					
Channel	Frequency (MHz)	Antenna Polarization	Level (dBm)	Limit (dBm)	Margin (dB)
1	1607.99	H	-67.17	-47.00	-20.17
	1607.99	V	-67.17	-47.00	-20.17
	3215.98	H	-60.53	-47.00	-13.53
	3215.98	V	-60.53	-47.00	-13.53
7	1627.99	V	-65.29	-47.00	-18.29
	1628.00	H	-67.90	-47.00	-20.90
	3255.97	V	-61.14	-47.00	-14.14
	3255.98	H	-61.37	-47.00	-14.37
13	1647.99	H	-67.61	-47.00	-20.61
	1648.02	V	-64.20	-47.00	-17.20
	3295.99	H	-60.91	-47.00	-13.91
	3295.99	V	-62.48	-47.00	-15.48

NOTE: The emission behavior belongs to narrowband spurious emission.

5. PHOTOGRAPHS OF THE TEST CONFIGURATION

TX and RX Spurious Emission Test





A D T

6. INFORMATION ON THE TESTING LABORATORIES

We, Bureau Veritas Consumer Products Services (H.K.) Ltd., Taoyuan Branch, were founded in 1988 to provide our best service in EMC, Radio, Telecom and Safety consultation. Our laboratories are accredited and approved by the following approval agencies according to ISO/IEC 17025:

USA	FCC, NVLAP
Germany	TUV Rheinland
Japan	VCCI
Norway	NEMKO
Canada	INDUSTRY CANADA, CSA
R.O.C.	TAF, BSMI, NCC
Netherlands	Telefication
Singapore	GOST-ASIA(MOU)
Russia	CERTIS(MOU)

Copies of accreditation certificates of our laboratories obtained from approval agencies can be downloaded from our web site: www.adt.com.tw/index.5/phtml. If you have any comments, please feel free to contact us at the following:

Linko EMC/RF Lab:
Tel: 886-2-26052180
Fax: 886-2-26051924

Hsin Chu EMC/RF Lab:
Tel: 886-3-5935343
Fax: 886-3-5935342

Hwa Ya EMC/RF/Safety/Telecom Lab:
Tel: 886-3-3183232
Fax: 886-3-3185050

Web Site: www.adt.com.tw

The address and road map of all our labs can be found in our web site also.

---END---